

## APPLICATION

Fan designed for transporting non-aggressive and non-explosive gases without contamination. Typical applications:

- various mechanical ventilation installations,
- air pumping in production processes,
- cooling, drying systems,
- refrigeration and air-conditioning equipment,
- air handling units.

## CONSTRUCTION

- low-pressure centrifugal fan with direct drive,
- the impeller is welded from galvanized steel sheet with forward curved blades, dynamically balanced according to ISO 1940-1, (stainless steel sheet 1.4301 for size 97),
- the housing is made of welded sheet steel,
- protective mesh at the inlet,
- motor stand in 250-400 models and in the 4/225 model,
- fan painted blue RAL 5010 (corrosivity category C3),
- maximum temperature of the transported medium is 80°C,
- ambient temperature range from -20°C to +40°C,
- figure LG90 in 4/250, 4/315 and 6/315 models,
- figure LG270 in other models.

## MOTOR

- asynchronous single-phase 230V 50Hz (power to 1,1kW),
- asynchronous, three-phase 230V/400V 50Hz (power to 3kW)
- asynchronous, three-phase 400V/690V 50Hz (power from 5,5kW),
- efficiency class IE3 (power from 0,25kW), or IE1 (power to 0,25kW),
- degree of protection IP55,
- insulation class F,
- three-phase motors are adapted for frequency converter.

## SPECIAL EXECUTIONS

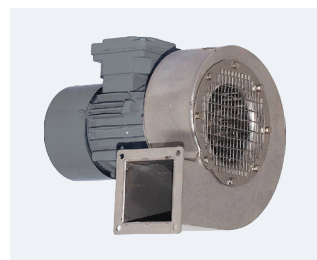
- optional configuration LG/RD,
- color other than standard,
- painting in higher category of corrosivity,
- housing and support made of galvanized steel sheet,
- housing and support made of stainless steel 1.4301,
- housing and support made of acid-proof steel 1.4404,
- motor with voltage and frequency of power different than standard,
- motor with other than standard degree of protection,
- motor equipped with sensors or additional cooling,
- sealing between the housing and the motor,
- ambient temperature range below -20°C and above +40°C.



WWW



CE



Stainless version GFS



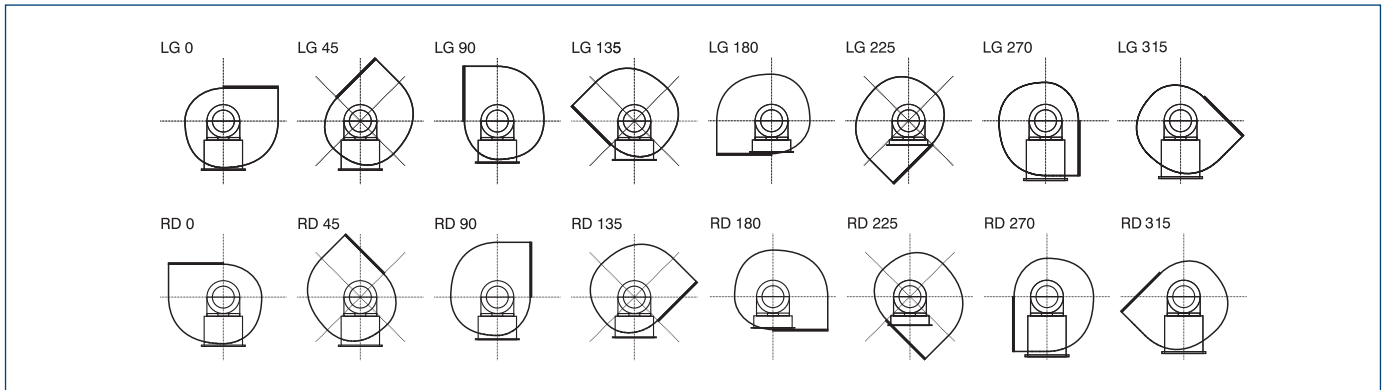
ATEX version ELF

TECHNICAL CHARACTERISTICS

Type	airflow max	pressure max	max absorbed power	speed	max absorbed current	voltage	capacitor	sound pressure level*	weight	regulator	ErP	article number
	[m³/h]	[Pa]	[kW]	[r.p.m.]	[A]	[V]	[µF]	[dB(A)]	[kg]			
GFB/2-97/42-003S	260	230	0,03	2850	0,9	230	3	58	4	-	not subject to	45030010
GFB/2-97/42-005T	260	245	0,05	2900	0,55/0,32	230/400	-	58	4	Inverter 0,4kW	not subject to	45030020
GFB/2-108/42-009T	325	350	0,09	2820	0,60/0,35	230/400	-	61	4,2	Inverter 0,4kW	not subject to	45030040
GFB/2-133/62-018T	680	548	0,18	2760	0,85/0,5	230/400	-	63	6	-	2015	435030080
GFB/2-146/62-025S	690	695	0,25	2890	1,6	230	20	68	7	-	2015	435030090
GFB/2-146/62-025T	690	695	0,25	2780	1,1/0,65	230/400	-	68	7	Inverter 0,4kW	2015	435030100-01
GFB/2-160/62-037S	860	890	0,37	2880	2,2	230	25	73	9,5	-	2015	435030110
GFB/2-160/62-037T	860	890	0,37	2870	1,65/0,95	230/400	-	73	9,5	Inverter 0,4kW	2015	435030120
GFB/2-180/62-075S	1400	1190	0,75	2890	4,2	230	50	74	15	-	2015	435030130
GFB/2-180/62-075T	1400	1190	0,75	2890	2,95/1,7	230/400	-	74	15	Inverter 0,75kW	2015	435030140
GFB/2-200/74-110S	1650	1380	1,1	2900	5,8	230	70	75	20,5	-	2015	435030150
GFB/2-200/74-110T	1650	1380	1,1	2890	4,3/2,5	230/400	-	75	20,5	Inverter 1,5kW	2015	435030160
GFB/4-200/74-037T	1330	370	0,37	1400	1,55/0,9	230/400	-	66	16,5	Inverter 0,4kW	2015	435030180
GFB/2-225/104-300T	3330	1560	3	2870	11/6,3	230/400	-	79	30,5	Inverter 4,0kW	2015	435030190
GFB/2-250/114-550T	4970	2280	5,5	2890	9,8/5,7	400/690	-	84	50,5	Inverter 5,5kW	2015	435030210
GFB/4-250/114-075S	2500	550	0,75	1430	4,1	230	50	69	34,5	-	2015	435030224
GFB/4-250/114-075T	2500	550	0,75	1430	3,5/2,1	230/400	-	69	34,5	Inverter 0,75kW	2015	435030220
GFB/4-315/143-300T	5515	890	3	1465	11,6/6,7	230/400	-	78	70	Inverter 4,0kW	2015	435030250
GFB/4-400/183-750T	10300	1560	7,5	1450	14,6/8,5	400/690	-	79	135	Inverter 7,5kW	2015	435030290
GFB/6-400/183-220T	7500	640	2,2	960	9,9/5,8	230/400	-	71	105	Inverter 2,2kW	2015	435030300
GFB/6-450/203-550T	9710	840	5,5	965	13,3/8,1	400/690	-	74	120	Inverter 5,5kW	2015	435030310

\* sound pressure measured at a distance of 1,5m from the fan at Q=2/3\*Qmax.

FIGURES

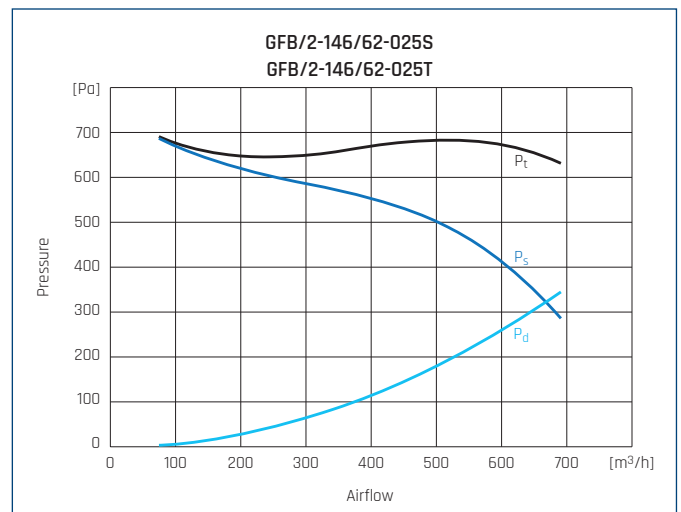
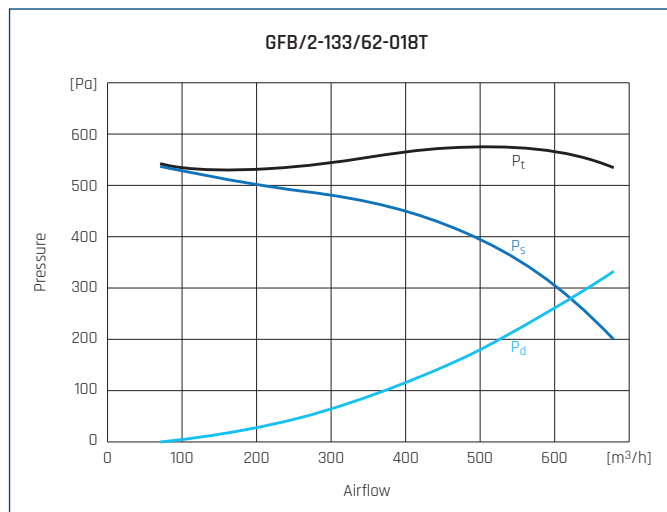
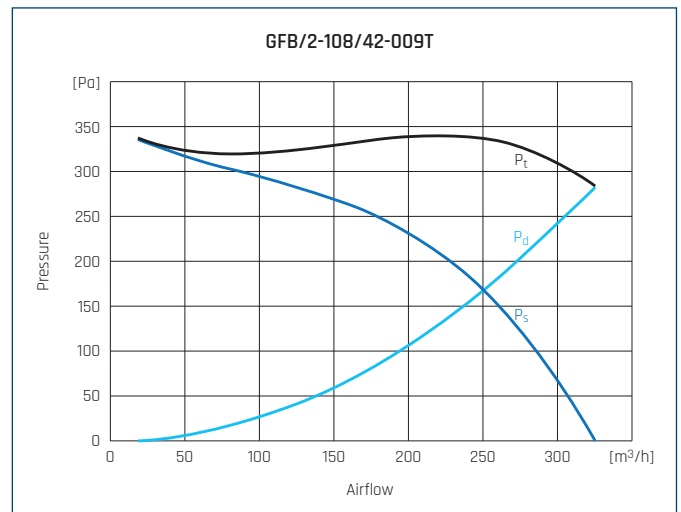
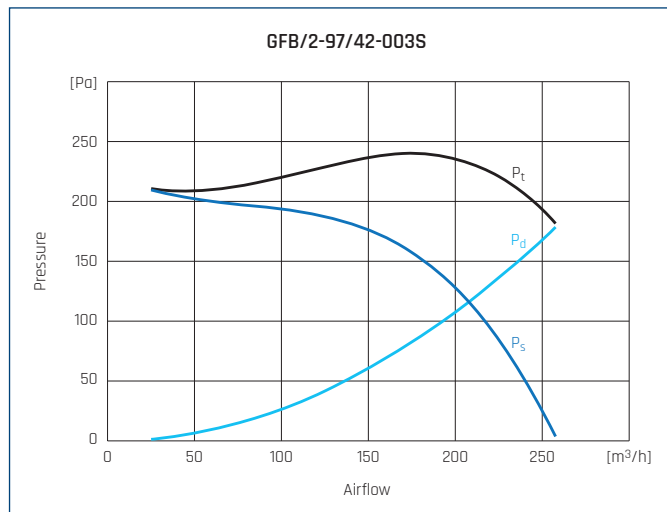
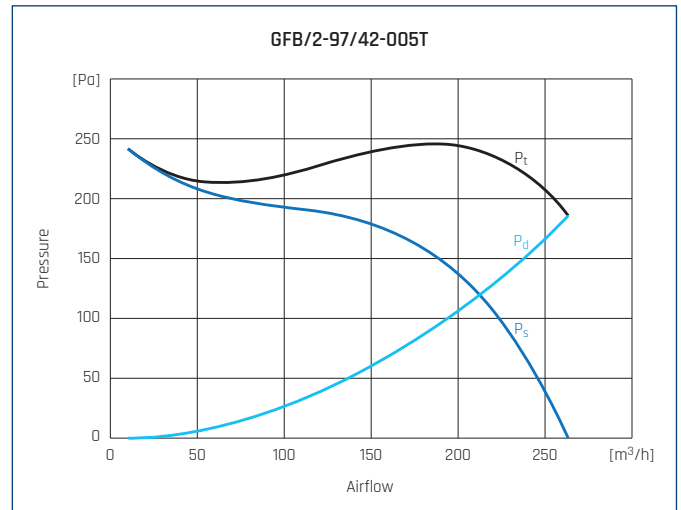


## PERFORMANCE CURVES

- $p_t$  - total pressure
- $p_s$  - static pressure
- $p_d$  - dynamic pressure

- MC** Measurement category
- EC** Efficiency category
- VSD** Speed control: supplied with the fan
- SR** Specific ratio
- $\eta$  [%] Efficiency
- N** Efficiency grade
- [kW]** Absorbed power
- [m<sup>3</sup>/h]** Airflow
- [Pa]** Static pressure
- [RPM]** Speed

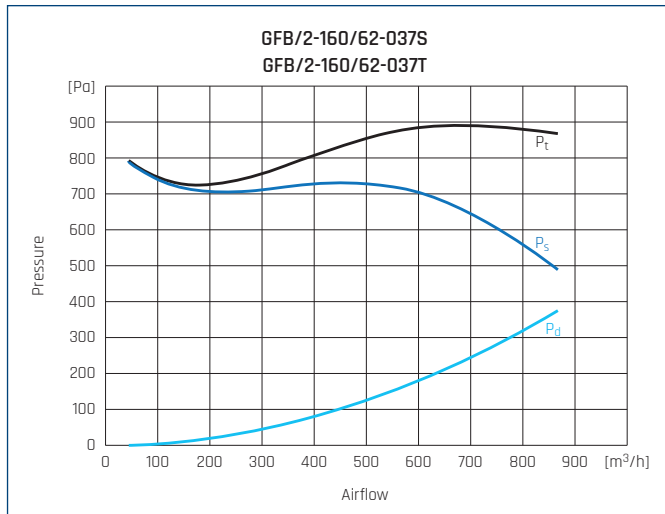
Based on Commission Regulation (EU) No 327/2011 of 30 March 2011



GFB/2-146/62-025S									
MC	EC	VSD	SR	$\eta$ [%]	N	[kW]	[m <sup>3</sup> /h]	[Pa]	[RPM]
B	Total	No	1	39,6	49,8	0,28	585	670	2880

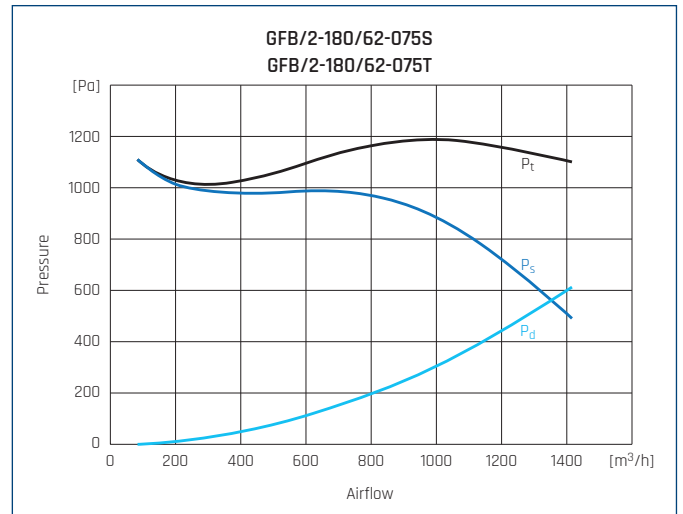
GFB/2-146/62-025T									
MC	EC	VSD	SR	$\eta$ [%]	N	[kW]	[m <sup>3</sup> /h]	[Pa]	[RPM]
B	Total	No	1	39,9	49,8	0,27	569	686	2780

PERFORMANCE CURVES



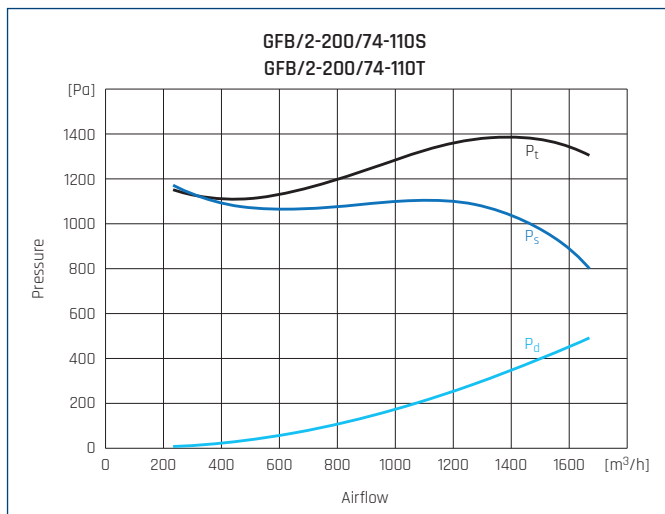
GFB/2-160/62-037S									
MC	EC	VSD	SR	$\eta$ [%]	N	[kW]	[m³/h]	[Pa]	[RPM]
B	Total	No	1	43,1	52,1	0,38	683	872	2880

GFB/2-160/62-037T									
MC	EC	VSD	SR	$\eta$ [%]	N	[kW]	[m³/h]	[Pa]	[RPM]
B	Total	No	1	45,8	55	0,35	661	873	2970



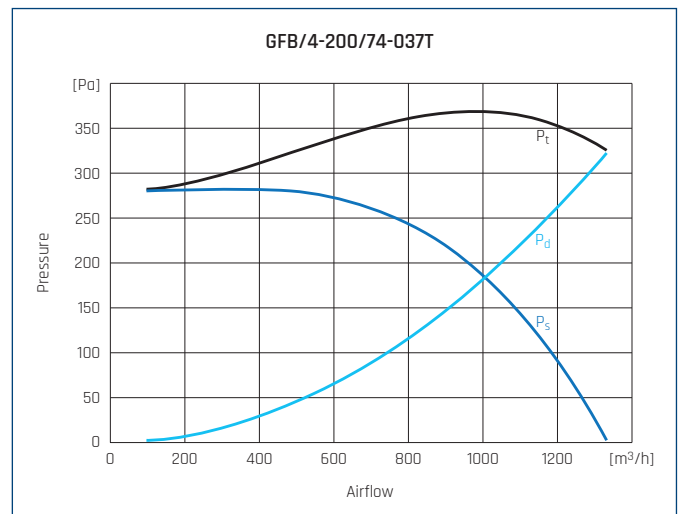
GFB/2-180/62-075S									
MC	EC	VSD	SR	$\eta$ [%]	N	[kW]	[m³/h]	[Pa]	[RPM]
B	Total	No	1	47,5	54,9	0,67	996	1155	2880

GFB/2-180/62-075T									
MC	EC	VSD	SR	$\eta$ [%]	N	[kW]	[m³/h]	[Pa]	[RPM]
B	Total	No	1	67,8	55,3	0,65	941	1191	2940



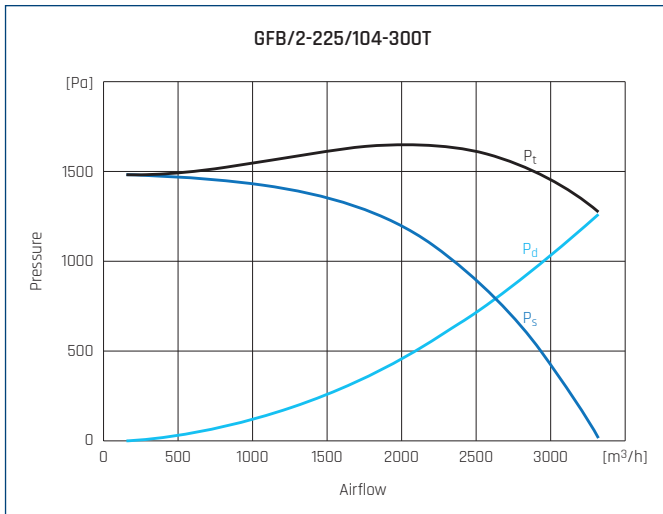
GFB/2-200/74-110S									
MC	EC	VSD	SR	$\eta$ [%]	N	[kW]	[m³/h]	[Pa]	[RPM]
B	Total	No	1	46,1	52	1,19	1446	1337	2850

GFB/2-200/74-110T									
MC	EC	VSD	SR	$\eta$ [%]	N	[kW]	[m³/h]	[Pa]	[RPM]
B	Total	No	1	53,1	59,1	1,12	1479	1441	2840

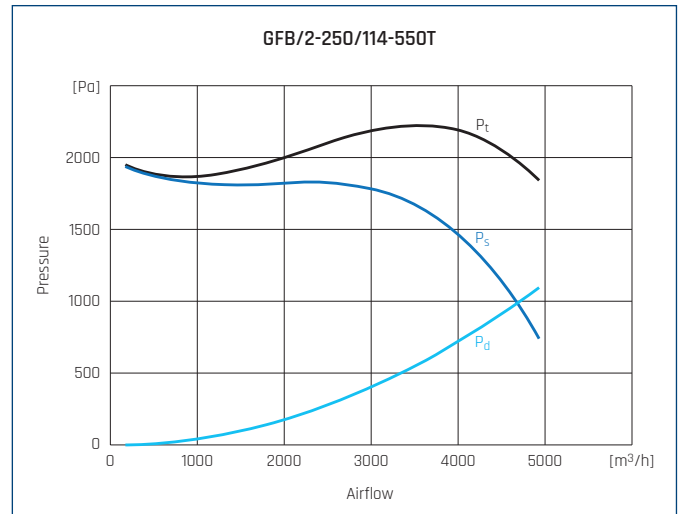


GFB/4-200/74-037T									
MC	EC	VSD	SR	$\eta$ [%]	N	[kW]	[m³/h]	[Pa]	[RPM]
B	Total	No	1	40	49,9	0,28	981	366	1400

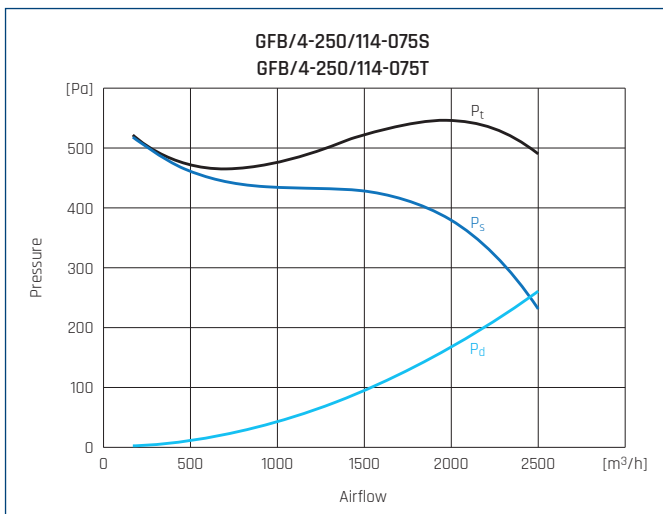
PERFORMANCE CURVES



GFB/2-225/104-300T									
MC	EC	VSD	SR	$\eta$ [%]	N	[kW]	[m³/h]	[Pa]	[RPM]
B	Total	No	1	45,9	50,3	2,03	2054	1645	2880

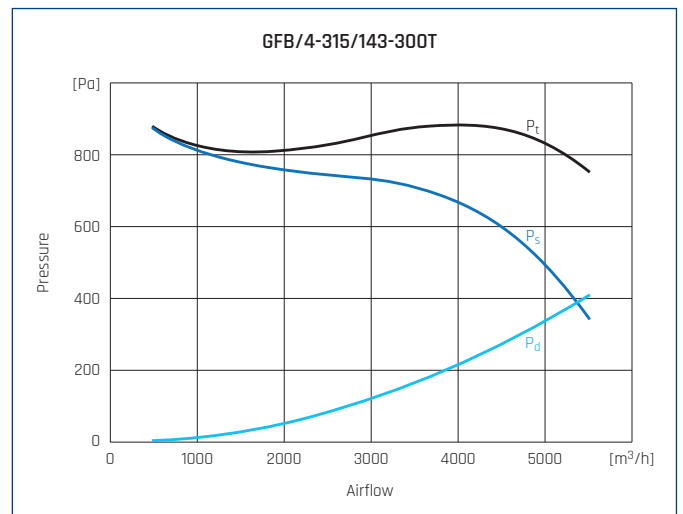


GFB/2-250/114-550T									
MC	EC	VSD	SR	$\eta$ [%]	N	[kW]	[m³/h]	[Pa]	[RPM]
B	Total	No	1	55,9	58,8	3,43	3086	2237	2890

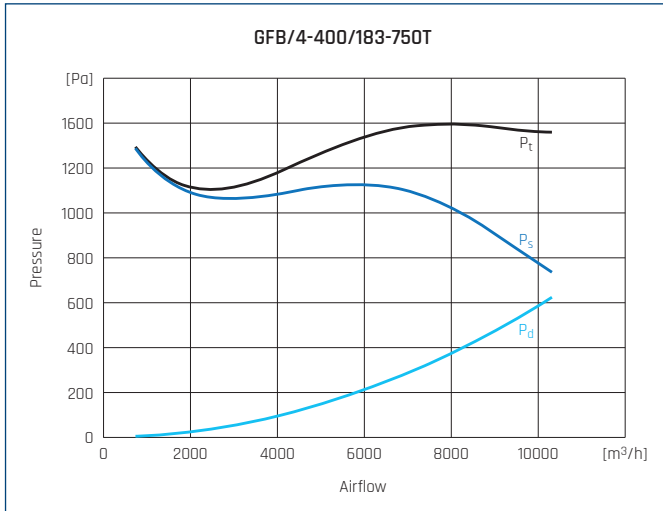


GFB/4-250/114-075S									
MC	EC	VSD	SR	$\eta$ [%]	N	[kW]	[m³/h]	[Pa]	[RPM]
B	Total	No	1	41,9	49,5	0,63	1698	522	1430

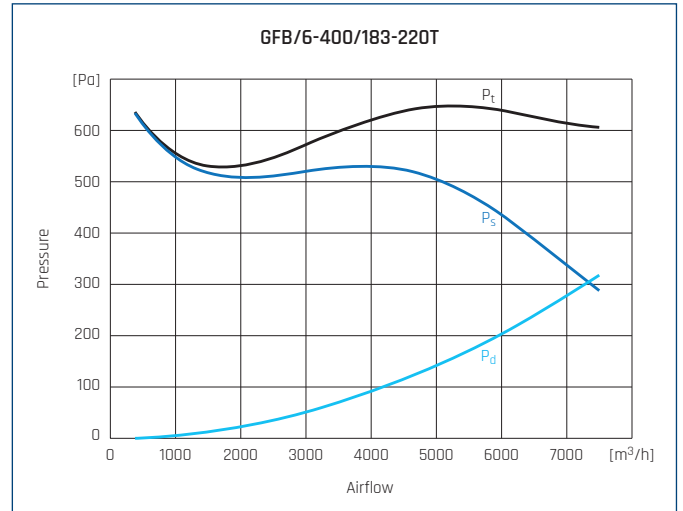
GFB/4-250/114-075T									
MC	EC	VSD	SR	$\eta$ [%]	N	[kW]	[m³/h]	[Pa]	[RPM]
B	Total	No	1	47,9	55,6	0,6	1809	574	1400



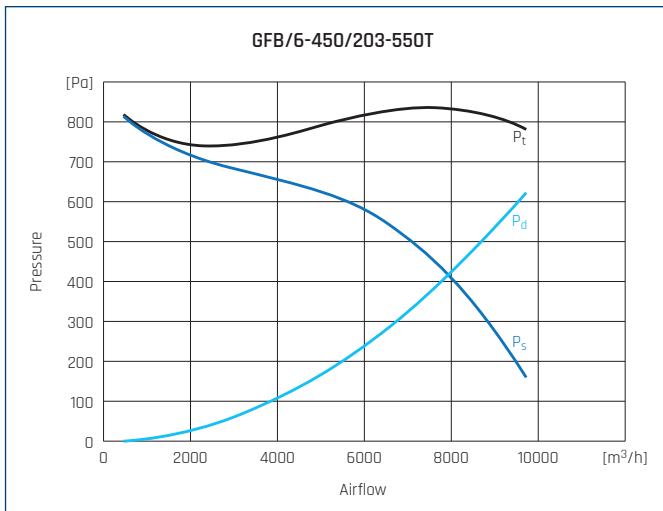
GFB/4-315/143-300T									
MC	EC	VSD	SR	$\eta$ [%]	N	[kW]	[m³/h]	[Pa]	[RPM]
B	Total	No	1	44,7	49,1	2,02	3686	884	1455



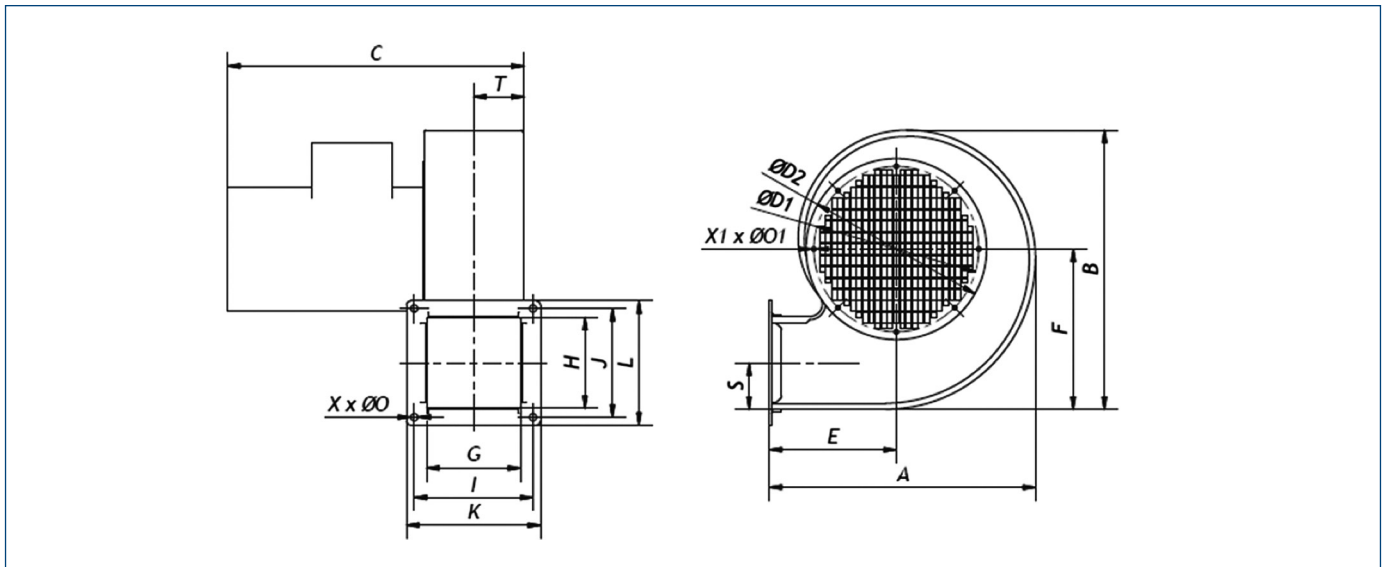
GFB/4-400/183-750T									
MC	EC	VSD	SR	$\eta$ [%]	N	[kW]	[m³/h]	[Pa]	[RPM]
B	Total	No	1	57,1	58,9	5,14	6847	1539	1450



GFB/6-400/183-220T									
MC	EC	VSD	SR	$\eta$ [%]	N	[kW]	[m³/h]	[Pa]	[RPM]
B	Total	No	1	49,3	53,9	1,84	5101	640	950

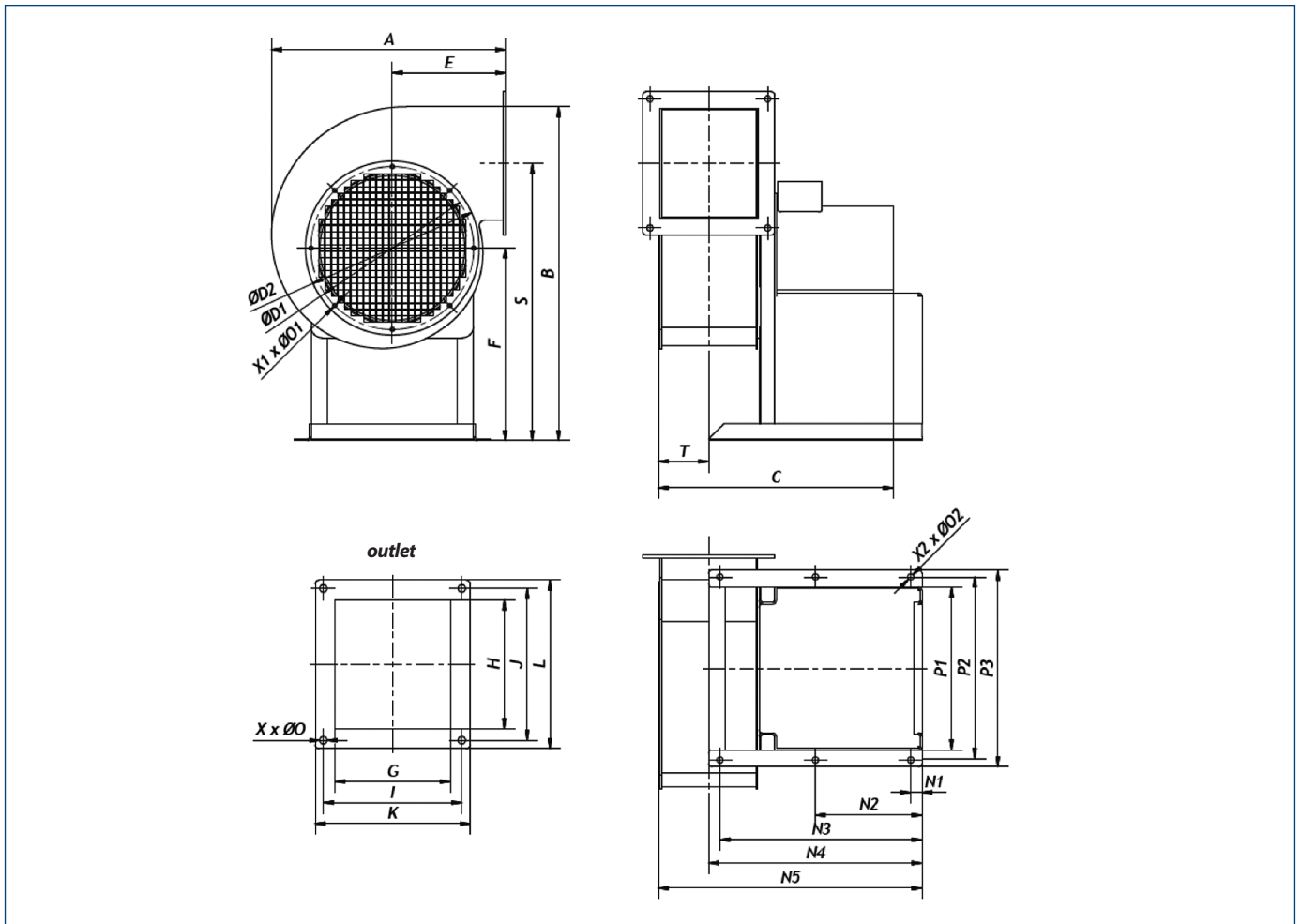


DIMENSIONS [mm]



Type	A	B	C	Ø01	Ø02	E	F	G	H	I	J	K	L	S	T	X	Ø0	X1	Ø01
GFB/2-97/42-005T	199	200	204	120	130	99	115	64	65	76	76	90	90	34	36	4	6	8	3
GFB/2-97/42-003S	199	200	204	120	130	99	115	64	65	76	76	90	90	34	36	4	6	8	3
GFB/2-108/42-009T	199	200	255	120	130	99	115	64	65	76	76	90	90	34	36	4	6	6	3
GFB/2-133/62-018T	238	245	276	150	160	115	142	91	88	115	105	130	120	45	49	4	7	6	3
GFB/2-146/62-025S	258	270	288	160	175	123	155	91	88	115	105	130	120	45	49	4	7	8	3
GFB/2-146/62-025T	258	270	288	160	175	123	155	91	88	115	105	130	120	45	49	4	7	8	3
GFB/2-160/62-037S	281	296	291	172	182	132	170	90	107	110	120	126	140	55	49	4	7	8	3
GFB/2-160/62-037T	281	296	291	172	182	132	170	90	107	110	120	126	140	55	49	4	7	8	3
GFB/2-180/62-075S	312	334	345	200	210	145	192	100	123	130	130	155	155	62	53	4	7	8	3
GFB/2-180/62-075T	312	334	333	200	210	145	192	100	123	130	130	155	155	62	53	4	7	8	3
GFB/2-200/74-110S	370	370	393	222	235	182	213	119	134	143	160	163	180	70	64	4	7	8	3
GFB/2-200/74-110T	370	370	366	222	235	182	213	119	134	143	160	163	180	70	64	4	7	8	3
GFB/4-200/74-037T	370	370	342	222	235	182	213	119	134	143	160	163	180	70	64	4	7	8	3
GFB/2-225/104-300T	374	382	462	250	280	182	217	148	136	173	161	193	181	74	78	4	11	8	6

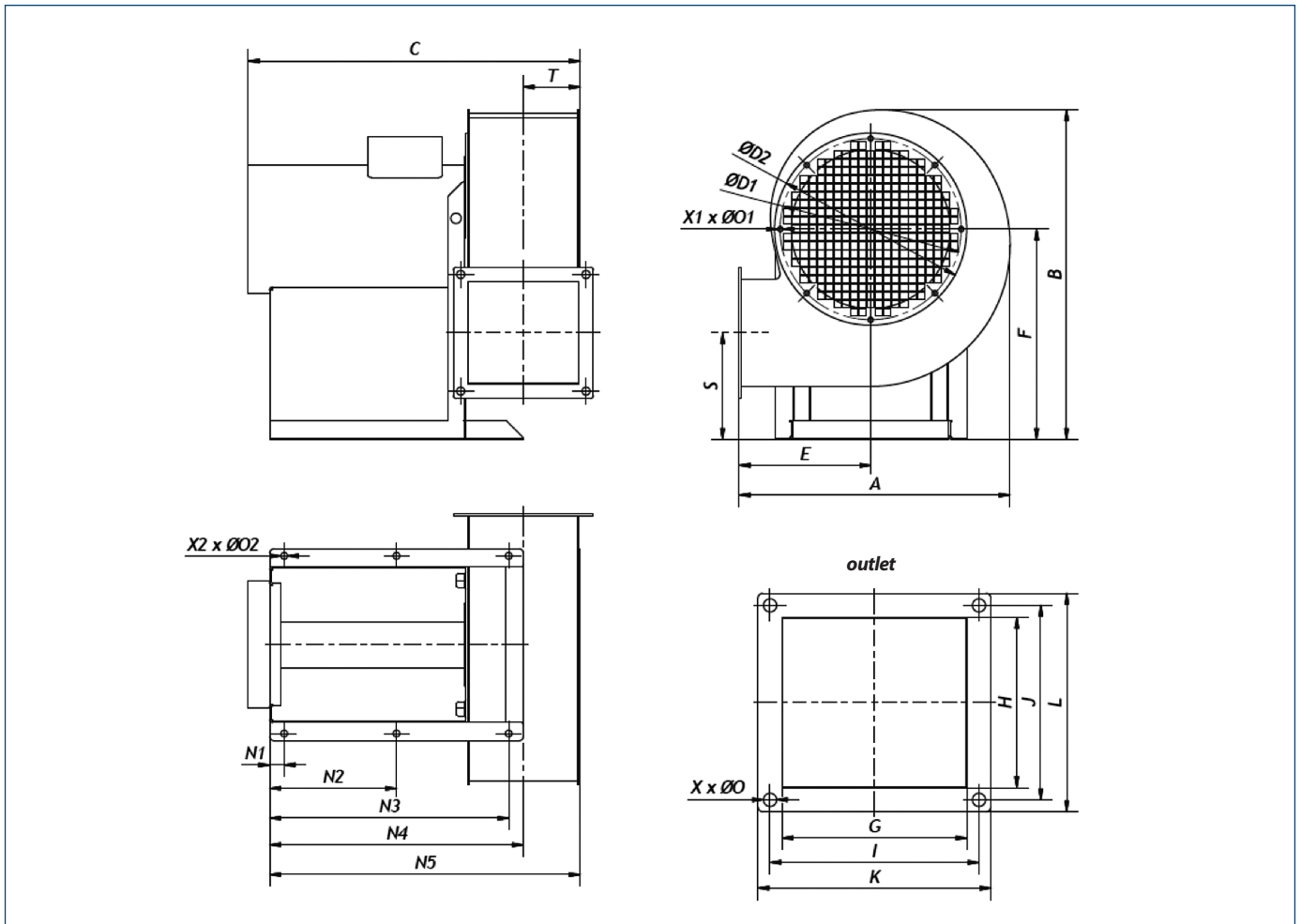
DIMENSIONS [mm]



Type	A	B	C	ØD1	ØD2	E	F	G	H	I	J	K	L	N1	N2	N3	N4	N5	P1	P2	P3	S	T	X	Ø0	X1	Ø01	X2	Ø02
GFB/4-250/114-075T	418	595	419	290	310	202	343	175	195	210	230	235	255	20	190	360	380	470	290	323	350	494	87	4	11	8	7	6	11

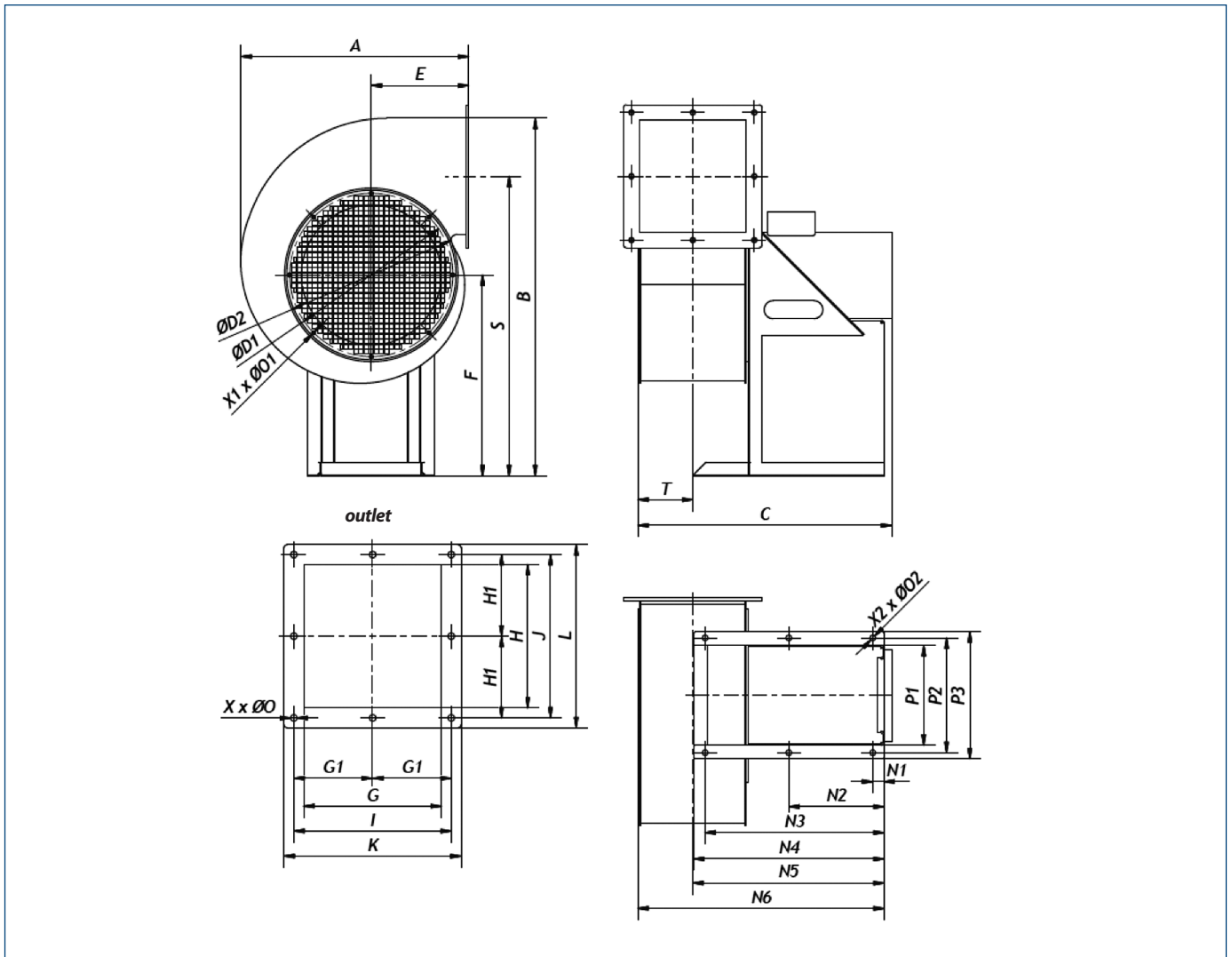


DIMENSIONS [mm]



Type	A	B	C	ØD1	ØD2	E	F	G	H	I	J	K	L	N1	N2	N3	N4	N5	P1	P2	P3	S	T	X	ØO	X1	ØO1	X2	ØO2
GFB/2-250/114-550T	418	522	538	290	310	202	343	175	195	210	230	235	255	20	190	360	380	470	290	326	350	192	90	4	11	8	7	6	11

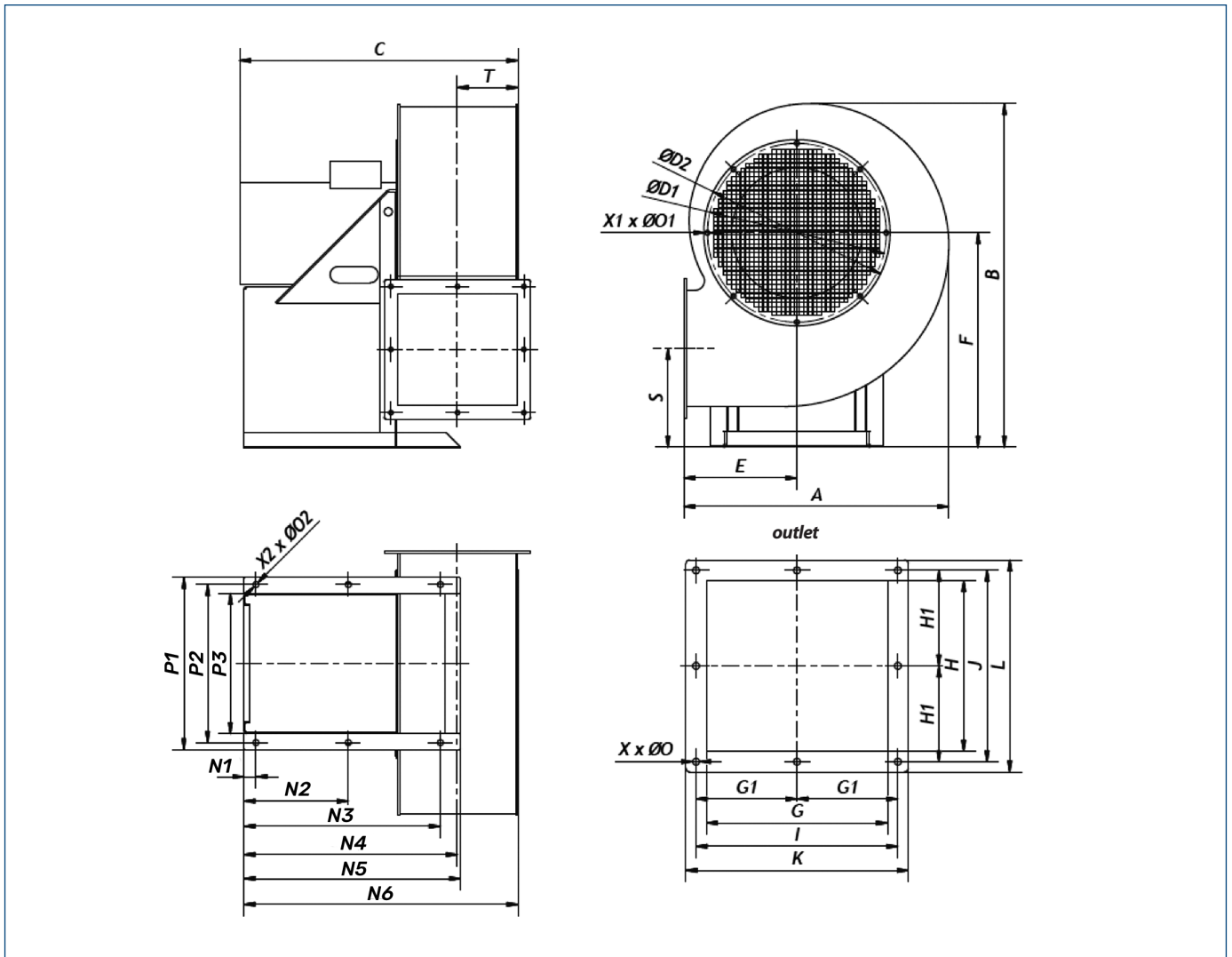
DIMENSIONS [mm]



Type	A	B	C	ØD1	ØD2	E	F	G	G1	H	H1	I	J	K	L	N1	N2	N3	N4	N5	N6	P1	P2	P3	S	T
GFB/4-315/143-300T	502	789	552	360	374	215	443	237	136	247	140	271	281	305	315	25	210	395	420	422	543	220	253	280	660	121

Type	X	ØØ	X1	ØØ1	X2	ØØ2
GFB/4-315/143-300T	8	11	8	7	6	12

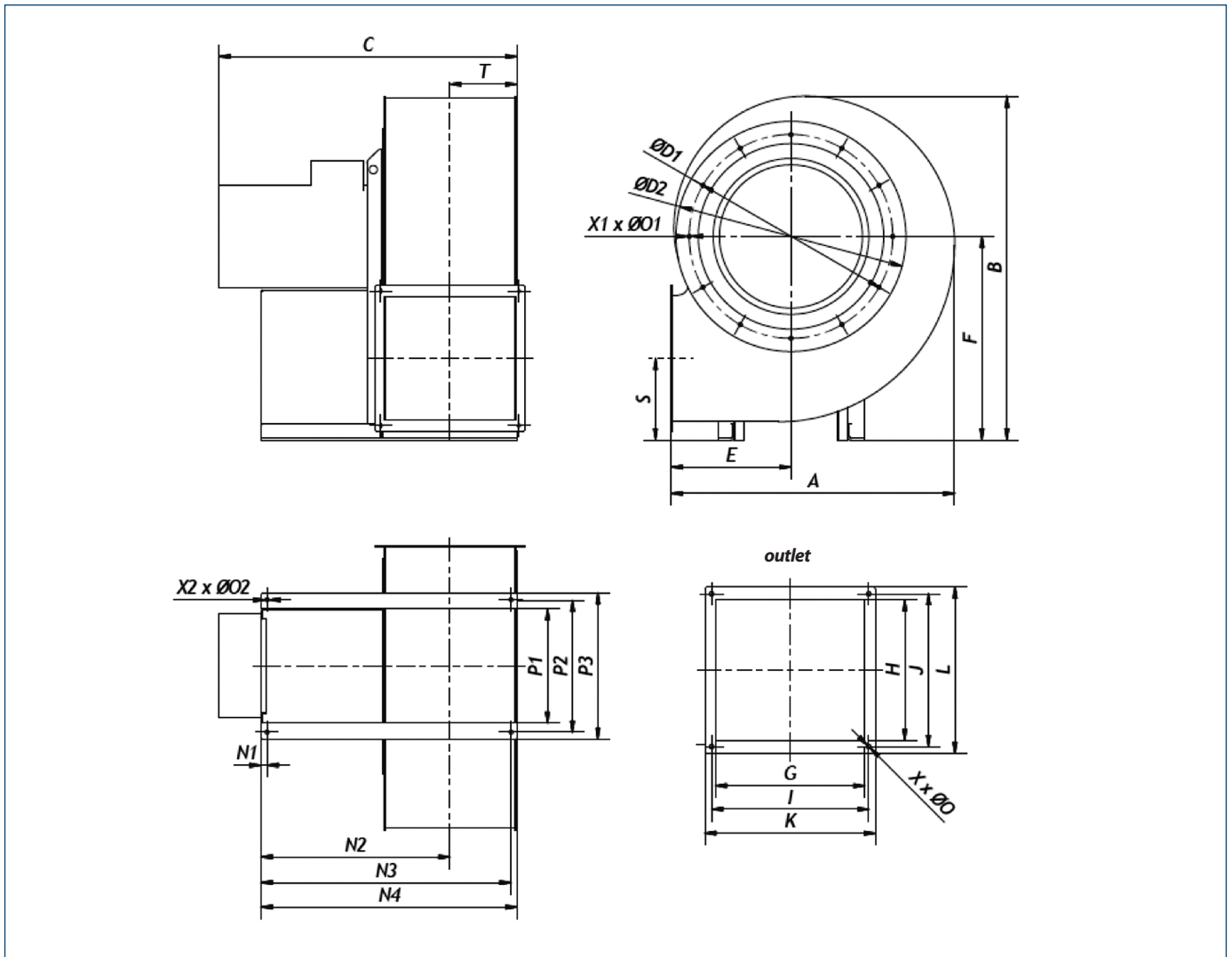
DIMENSIONS [mm]



Type	A	B	C	ØD1	ØD2	E	F	G	G1	H	H1	I	J	K	L	N1	N2	N3	N4	N5	N6	P1	P2	P3	S	T
GFB/4-400/183-750T	661	858	695	446	465	282	535	298	166	281	158	332	315	366	349	30	260	490	532	540	684	350	394	430	246	152
GFB/6-400/183-220T	661	858	695	446	465	282	535	298	166	281	158	332	315	366	349	30	260	490	532	540	684	350	394	430	246	152

Type	X	Ø0	X1	Ø01	X2	Ø02
GFB/4-400/183-750T	8	11	8	9	6	14
GFB/6-400/183-220T	8	11	8	9	6	14

DIMENSIONS [mm]



Type	A	B	C	$\varnothing D1$	$\varnothing D2$	E	F	G	H	I	J	K	L	N1	N2	N3	N4	P1	P2	P3	S	T	X	$\varnothing O$	X1	$\varnothing O1$	X2	$\varnothing O2$
GFB/6-450/203-550T	697	844	732	500	565	295	500	323	303	340	330	369	360	15	464	615	630	280	324	360	200	164	4	9	12	9	4	10

ELECTRICAL ACCESSORIES

Type	inverter	service switch
GFB/2-97/42-003S	-	R-S 1-F + SP, 10A
GFB/2-97/42-005T	L 0.4kW	R-S 3-F + SP, 10A
GFB/2-108/42-009T	L 0.4kW	R-S 3-F + SP, 10A
GFB/2-133/62-018T	L 0.4kW	R-S 3-F + SP, 10A
GFB/2-146/62-025S	-	R-S 1-F + SP, 10A
GFB/2-146/62-025T	L 0.4kW	R-S 3-F + SP, 10A
GFB/2-160/62-037S	-	R-S 1-F + SP, 10A
GFB/2-160/62-037T	L 0.4kW	R-S 3-F + SP, 10A
GFB/2-180/62-075S	-	R-S 1-F + SP, 10A
GFB/2-180/62-075T	L 0.75kW	R-S 3-F + SP, 10A
GFB/2-200/74-110S	-	R-S 1-F + SP, 10A
GFB/2-200/74-110T	L 0.75kW	R-S 3-F + SP, 10A
GFB/4-200/74-037T	L 0.4kW	R-S 3-F + SP, 10A
GFB/2-225/104-300T	L 4.0kW	R-S 3-F + SP, 10A
GFB/2-250/114-550T	L 2.2kW	R-S 3-F + SP, 16A
GFB/4-250/114-075S	-	R-S 1-F + SP, 10A
GFB/4-250/114-075T	L 0.75kW	R-S 3-F + SP, 10A
GFB/4-315/143-300T	L 4.0kW	R-S 3-F + SP, 10A
GFB/4-400/183-750T	L 7.5kW	R-S 3-F + SP, 16A
GFB/6-400/183-220T	L 2.2kW	R-S 3-F + SP, 10A
GFB/6-450/203-550T	L 7.5kW	R-S 3-F + SP, 16A

Article numbers

L 0,4 kW	40016302	L 7,5 kW	40016372
L 0,75 kW	40016312	R-S 3-F + SP, 10A	91040908-01
L 2,2 kW	40016332	R-S 3-F + SP, 16A	91040908
L 4,0 kW	40016352		



inverter

service switch