



### APPLICATION

The AFK fans are designed for delivering large volumes of air. They can be used in both industrial and commercial facilities, such as:

- parts of ventilation and cooling systems at various workplaces,
- spot cooling of engines, compressors, electrical equipment, etc,
- parts of ventilation systems in industrial rooms, sports halls, and storage facilities,
- for drying painted surfaces, etc.

### CONSTRUCTION

A mobile axial fan. The housing is made of welded steel sheet painted with powder paint. The rotor is made of glass-fibre reinforced polypropylene. The hub is made of aluminium. Safety mesh provided at the inlet and outlet of the fan. Connection with a 3 meter lead-through cable.

On request, the fans can be supplied in any colour from the RAL palette (RAL 9005 - black is the standard colour).

### MOTOR

Asynchronous single phase 230V, 50Hz. Insulation class F, degree of protection IP 55. The motors are made in accordance with EC 60072 and 60034 standards, and have been awarded with a CE mark.

The AFK fans are provided with 11-speed thyristor regulator.

Optional possibility to order a fan without regulator.

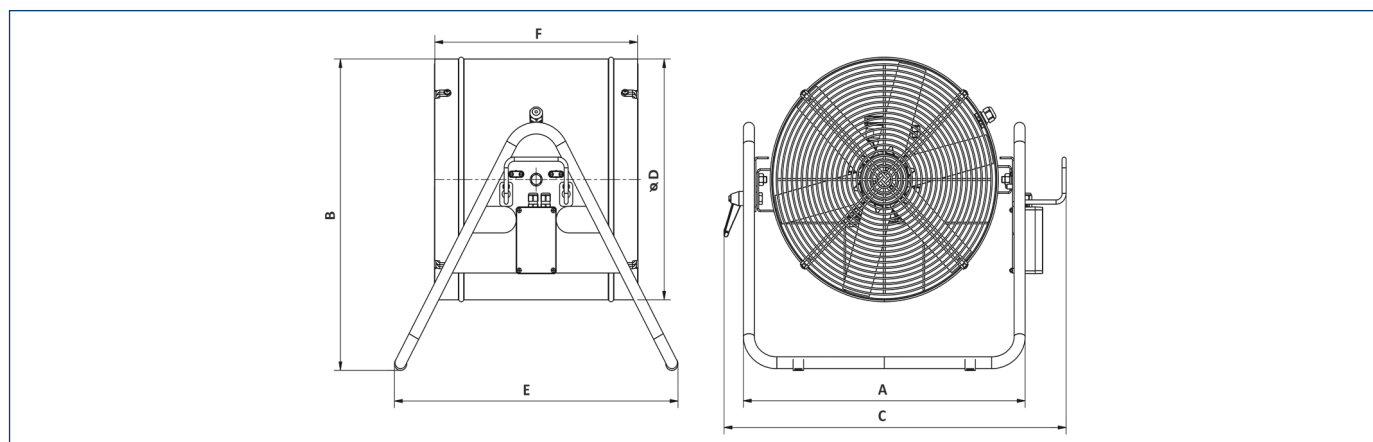


### TECHNICAL CHARACTERISTICS

Type	speed	voltage	maximum absorbed power	maximum absorbed current	airflow	sound pressure level*	weight	article number
	[obr/min]	[V]	[kW]	[A]	[m³/h]	[dB(A)]	[kg]	
AFK-315 RU	1430	230	0,12	1,0	2200	61	17	42516000
AFK-355 RU	1420	230	0,18	1,4	2550	62	20	42516010
AFK-400 RU	1420	230	0,37	2,5	3100	62	24	42516020
AFK-450 RU	1420	230	0,55	3,1	4900	65	25	42516030
AFK-500 RU	1420	230	0,55	3,5	5500	67	32	42516040
AFK-560 RU	1420	230	0,55	3,8	6400	68	35	42516050

\* sound pressure level measured at 1,5 meters from the fan.

## DIMENSIONS [mm]



Type	A	B	C	ØD	E	F
AFK-315	428	441	549	315	487	320
AFK-355	468	489	589	355	518	340
AFK-400	514	535	635	400	544	370
AFK-450	564	582	685	450	568	406
AFK-500	614	629	735	500	591	406
AFK-560	674	677	795	560	611	406

## AIR THROW CURVES [m]

